

Dim : A Nominal Height	Weights	Dimension : B Distance Between Posts			Dim : C O/A Length of Posts
		1000	1200	1500	
1.0m	Leaf	23.22 kgs	26.54 kgs	30.58 kgs	1500mm
	Posts	31.96 kgs	31.96 kgs	31.96 kgs	
1.2m	Leaf	25.64 kgs	29.36 kgs	33.80 kgs	1800mm
	Posts	35.54 kgs	35.54 kgs	35.54 kgs	
1.5m	Leaf	29.28 kgs	33.60 kgs	38.64 kgs	2100mm
	Posts	40.92 kgs	40.92 kgs	40.92 kgs	
1.8m	Leaf	33.17 kgs	38.19 kgs	43.93 kgs	2500mm
	Posts	48.08 kgs	48.08 kgs	48.08 kgs	
2.0m	Leaf	35.34 kgs	40.66 kgs	46.70 kgs	2700mm
	Posts	51.66 kgs	51.66 kgs	51.66 kgs	
2.4m	Leaf	40.75 kgs	47.09 kgs	54.15 kgs	3100mm
	Posts	58.84 kgs	58.84 kgs	58.84 kgs	

OPTIONAL TOPPINGS
40 x 3mm Serrated Strip welded to top of leaf for 1.8m high & over
Vertical Extensions For 3no Rows of Barbed Wire

OPTIONAL LATCH
50 x 10mm Slip-Latch on inside face of leaf and holed for Padlock

SPECIFICATION :

- Gate Posts : 100 x 100 x 3mm RHS For All Heights
- Outer Frame : 60 x 60 x 2mm RHS Fully Welded
- Tube Infill : 25 x 25 x 1.5mm RHS Pitched at 135mm crs.
- Hinges : 25mm dia. - Rear Hung 180° Inward Opening Fully Adjustable
- Ground Bolt : 20mm dia. - On Inside Face Lockable with Padlock
- Lock : Mortise Lock - Euro Cylinder and 3 Keys
- Handles : Standard Accommodates - On Inside + On Outside On Inside Only & Key No Handles & Key Only

Important Note : Foundation Details should be as recommended in BS 1722 Part : 14 for Open Mesh Steel Panel Fences

REVISION : A - Weights Revised - 26.02.02



Tinsley Wire - Wigan
Woodhouse Lane Phone 0870 120 3252
Wigan WN6 7NS Fax 0870 120 3242

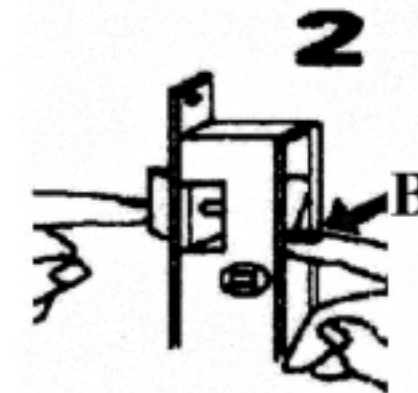
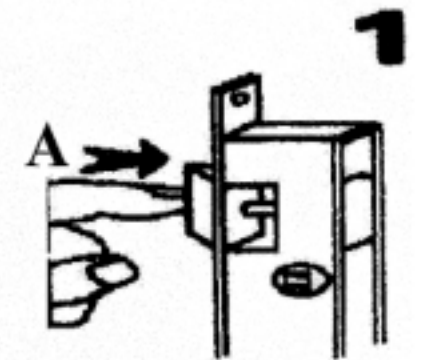
PRODUCT DESCRIPTION :

Robusta Swing Gates
Details of Standard
Single Leaf Gates
With Tube Infill

Drawn MJH
Date 30.01.02
Drawing No :
RB-SLG-T01 REV A

Depress Catch **A** around 5mm into lock body.

Do not use excessive force.



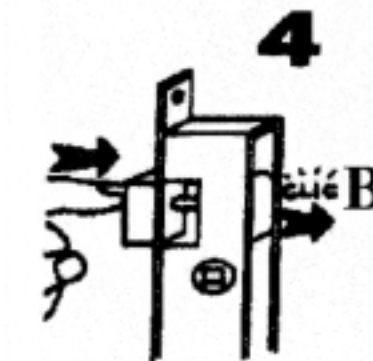
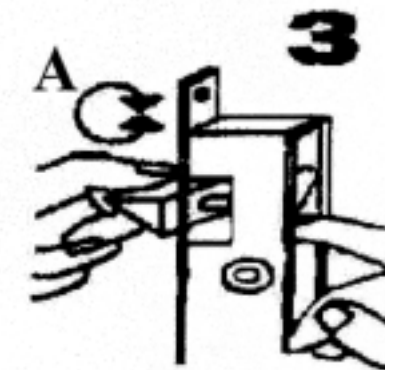
Whilst Catch **A** is still being depressed, push in lever **B** until resistance is felt (about 10mm).

Do not use excessive force.

Let go of Catch **A**.
Let go of Lever **B**.

Turn Catch **A** though 180° to face the other direction.

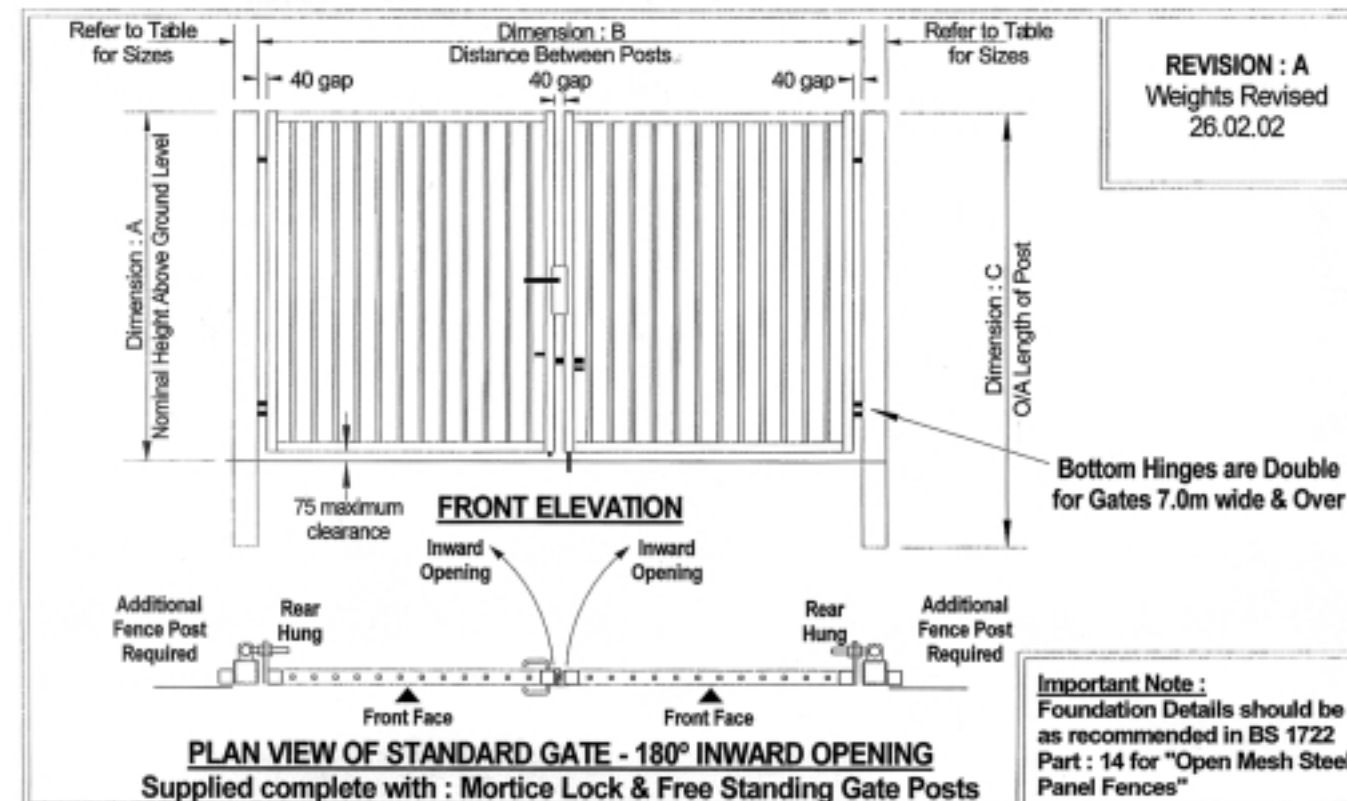
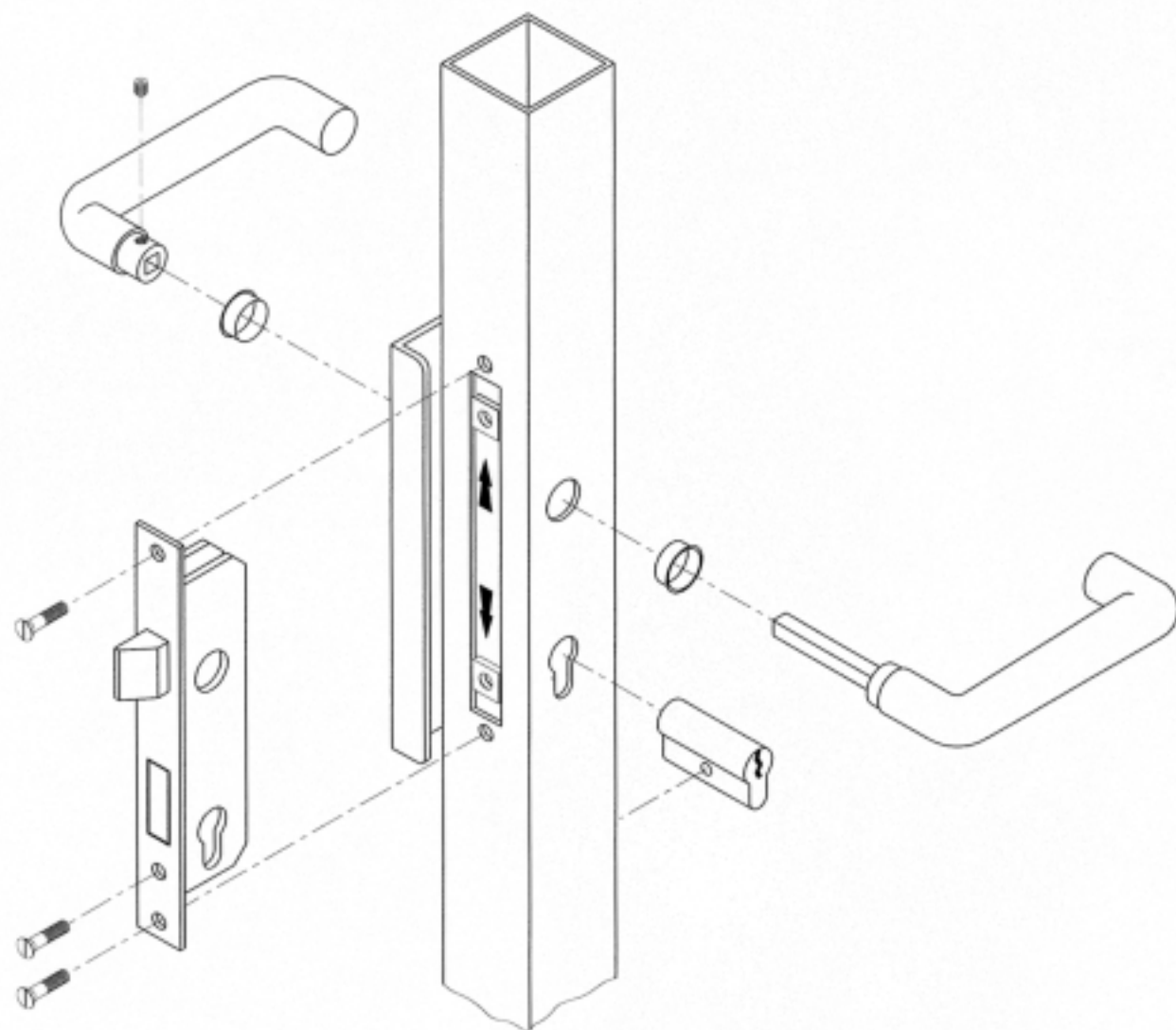
Do not use excessive force.



Make sure Catch **A** is lined up properly in its slot and then keep pushing it back in until a 'click' is heard from Lever **B**.

Do not use excessive force.

The Lock Body has now been turned from left hand to right hand, or visa versa.



Dim : A Nominal Height	Size & Weights	Dimension : B = Distance Between Posts (mm)						Dim : C O/A Length of Posts	
		1960	2960	4060	5060	6060	7060		8060
1.0m	Leaves	45.41 kgs	60.13 kgs	75.57 kgs	92.41 kgs	N/A	N/A	N/A	1500mm
	Posts	31.96 kgs	31.96 kgs	31.96 kgs	56.92 kgs	N/A	N/A	N/A	
	Section	100x100x3	100x100x3	100x100x3	140x140x4	N/A	N/A	N/A	
1.2m	Leaves	50.25 kgs	66.57 kgs	83.81 kgs	102.05 kgs	N/A	N/A	N/A	1800mm
	Posts	35.54 kgs	35.54 kgs	35.54 kgs	63.62 kgs	N/A	N/A	N/A	
	Section	100x100x3	100x100x3	100x100x3	140x140x4	N/A	N/A	N/A	
1.5m	Leaves	57.53 kgs	76.25 kgs	95.99 kgs	119.53 kgs	141.89 kgs	N/A	N/A	2100mm
	Posts	40.92 kgs	40.92 kgs	40.92 kgs	73.88 kgs	73.88 kgs	N/A	N/A	
	Section	100x100x3	100x100x3	100x100x3	140x140x4	140x140x4	N/A	N/A	
1.8m	Leaves	65.31 kgs	86.83 kgs	111.19 kgs	132.71 kgs	162.29 kgs	208.69 kgs	228.05 kgs	2500mm
	Posts	48.08 kgs	48.08 kgs	47.88 kgs	47.88 kgs	47.88 kgs	165.16 kgs	165.16 kgs	
	Section	100x100x3	100x100x3	140x140x4	140x140x4	140x140x4	180x180x6	180x180x6	
2.0m	Leaves	69.65 kgs	92.37 kgs	117.93 kgs	148.65 kgs	172.57 kgs	229.15 kgs	238.11 kgs	2700mm
	Posts	51.66 kgs	51.66 kgs	53.78 kgs	53.78 kgs	53.78 kgs	177.98 kgs	177.98 kgs	
	Section	100x100x3	100x100x3	140x140x4	140x140x4	140x140x4	180x180x6	180x180x6	
2.4m	Leaves	80.47 kgs	107.27 kgs	136.91 kgs	163.71 kgs	201.53 kgs	264.09 kgs	273.73 kgs	3100mm
	Posts	58.84 kgs	58.84 kgs	107.20 kgs	107.20 kgs	107.20 kgs	203.62 kgs	203.62 kgs	
	Section	100x100x3	100x100x3	140x140x4	140x140x4	140x140x4	180x180x6	180x180x6	

OPTIONAL TOPPINGS

40 x 3mm Serrated Strip welded to top of leaf for 1.8m high & over

Vertical Extensions For 3no Rows of Barbed Wire

OPTIONAL LATCH

50 x 10mm Slip-Latch on inside face of leaf and holed for Padlock

SPECIFICATION :

Gate Posts : 100 x 100 x 3mm RHS
 : 140 x 140 x 4mm RHS
 : 180 x 180 x 6mm RHS

Outer Frame (fully welded) : 60 x 60 x 2mm RHS Verticals
 : 60 x 60 x 2mm RHS Hor'ls
 1.0 To 6.0m wide gates
 : 80 x 60 x 2.5mm RHS Hor'ls
 Over 6.0m wide gates

Tube Infill : 25 x 25 x 1.5mm RHS
 pitched at 135mm crs.

Hinges : 25mm dia. - Rear Hung
 180° Inward Opening
 Fully Adjustable.

Ground Bolts : 20mm dia. - On Inside Face
 with Anti-Lift bracket.
 Lockable with Padlock.

Lock : Mortise Lock - Euro Cylinder
 and 3 Keys.

Handles : Standard Accommodates
 On Inside + On outside.
 On Inside Only & Key
 No Handles & Key Only

BEKAERT FENCING SYSTEMS

Tinsley Wire - Wigan
 Woodhouse Lane
 Wigan WN6 7NS

Phone 0870 120 3252
 Fax 0870 120 3242

PRODUCT DESCRIPTION :

Robusta Swing Gates
 Details of Standard
 On-Site Mortise Lock
 And Handle Assembly

Drawn MJH
 Date 29.07.02
 Drawing No :
RBG-AS-L1 REV

BEKAERT FENCING SYSTEMS

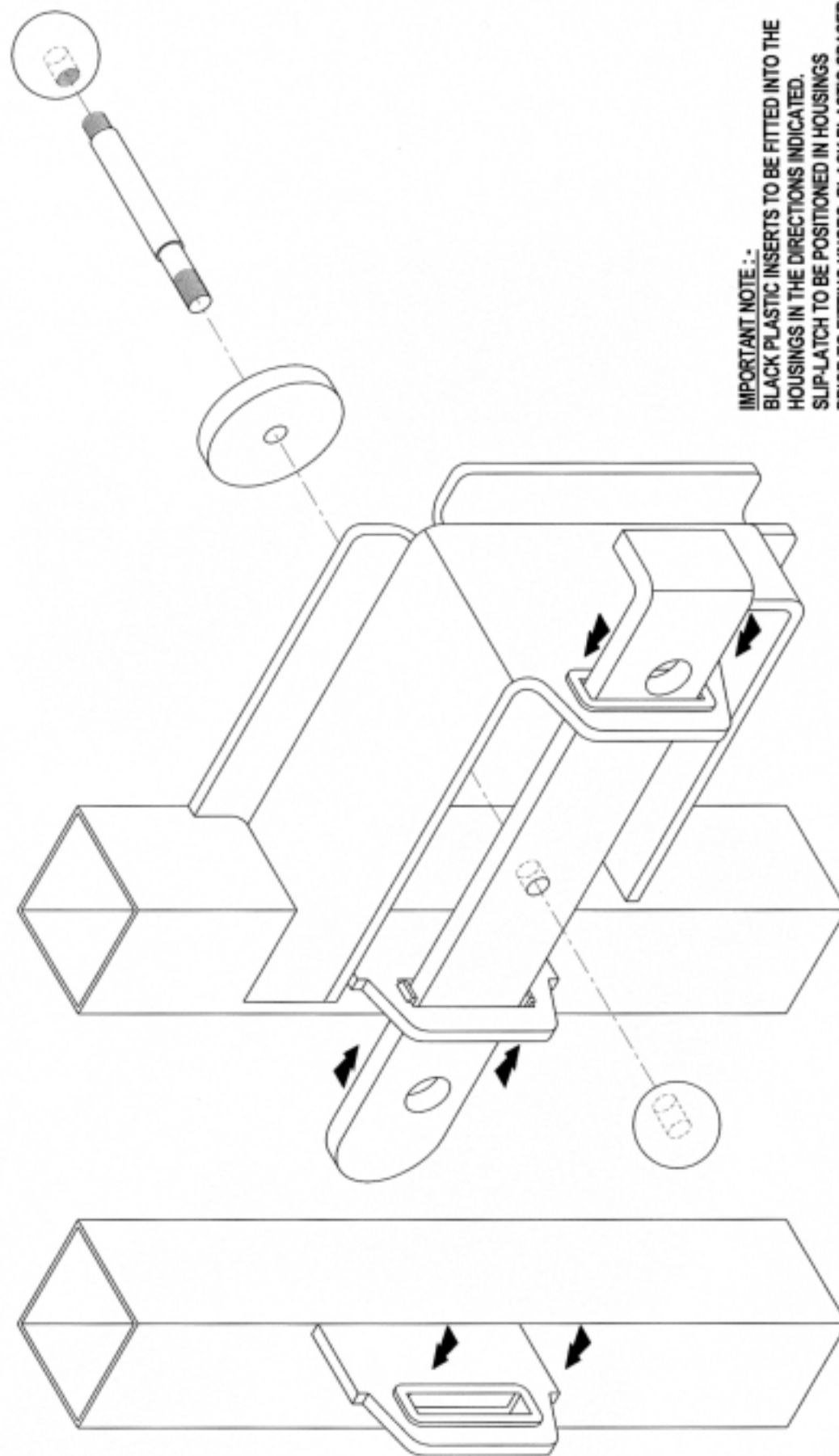
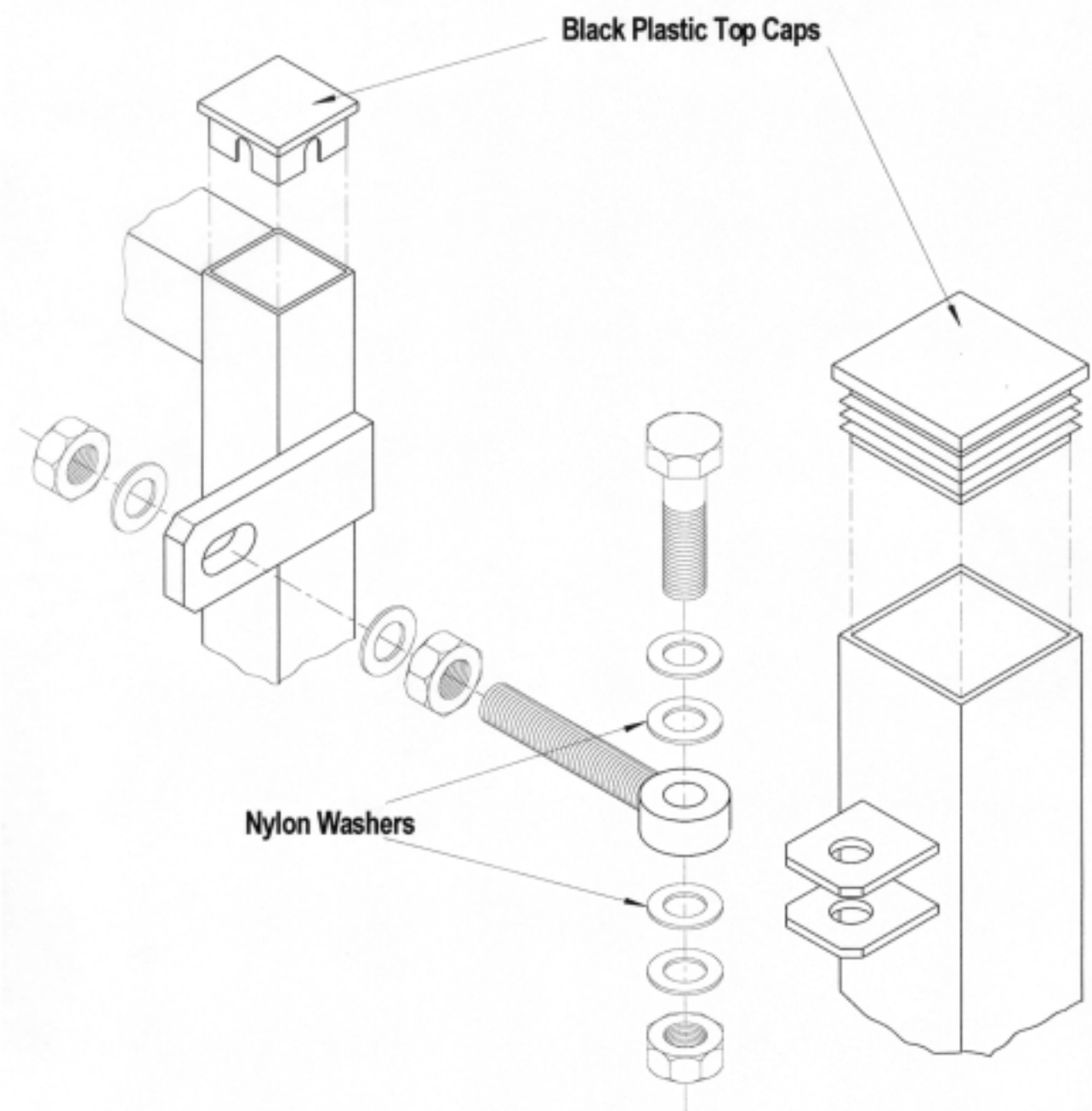
Tinsley Wire - Wigan
 Woodhouse Lane
 Wigan WN6 7NS

Phone 0870 120 3252
 Fax 0870 120 3242

PRODUCT DESCRIPTION :

Robusta Swing Gates
 Details of Standard
 Double Leaf Gates
 With Tube Infill

Drawn MJH
 Date 30.01.02
 Drawing No :
RB-DLG-T02 REV
A



<p>Tinsley Wire - Wigan Woodhouse Lane Wigan WN6 7NS</p>	<p>PRODUCT DESCRIPTION : Robusta Swing Gates Details of Standard On-Site Hinge Assembly</p>	Drawn	MJH
		Date	29.07.02
		Drawing No :	
		RBG-AS-H1	
Phone 0870 120 3252	Fax 0870 120 3242		REV

Drawn	Date	Drawing No :
MJH	29.08.02	RBG-AS-SL
		REV

PRODUCT DESCRIPTION : Robusta Swing Gates
 Details of Standard On-Site Slip-Latch
 And Handle Assembly

Tinsley Wire - Wigan
 Woodhouse Lane
 Wigan WN6 7NS
 Phone 0870 120 3252
 Fax 0870 120 3242

BEKAERT FENCING SYSTEMS